

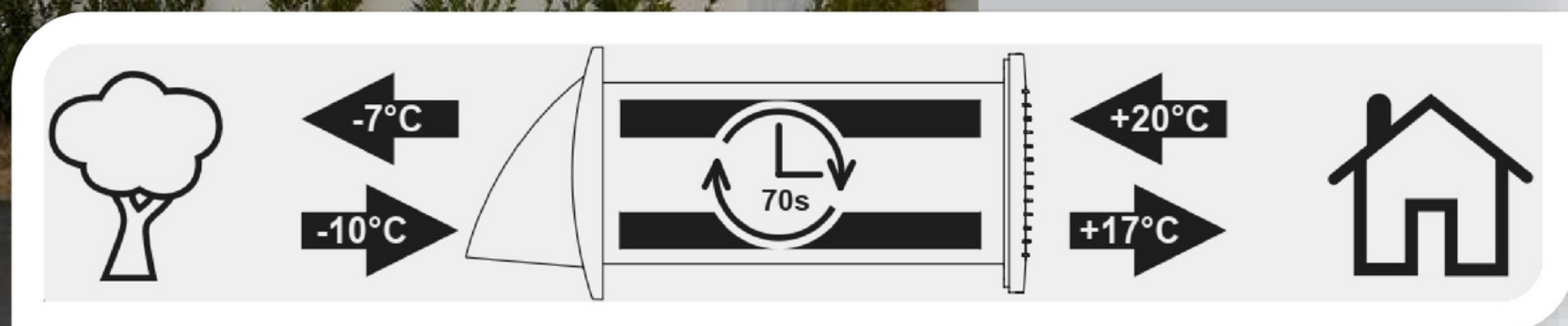
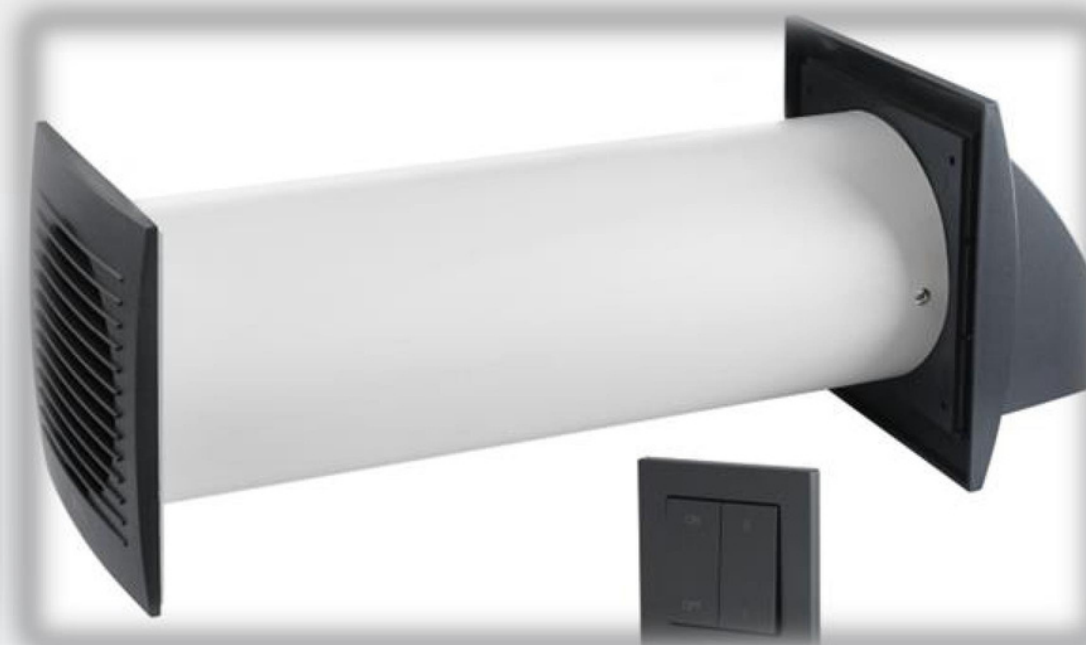
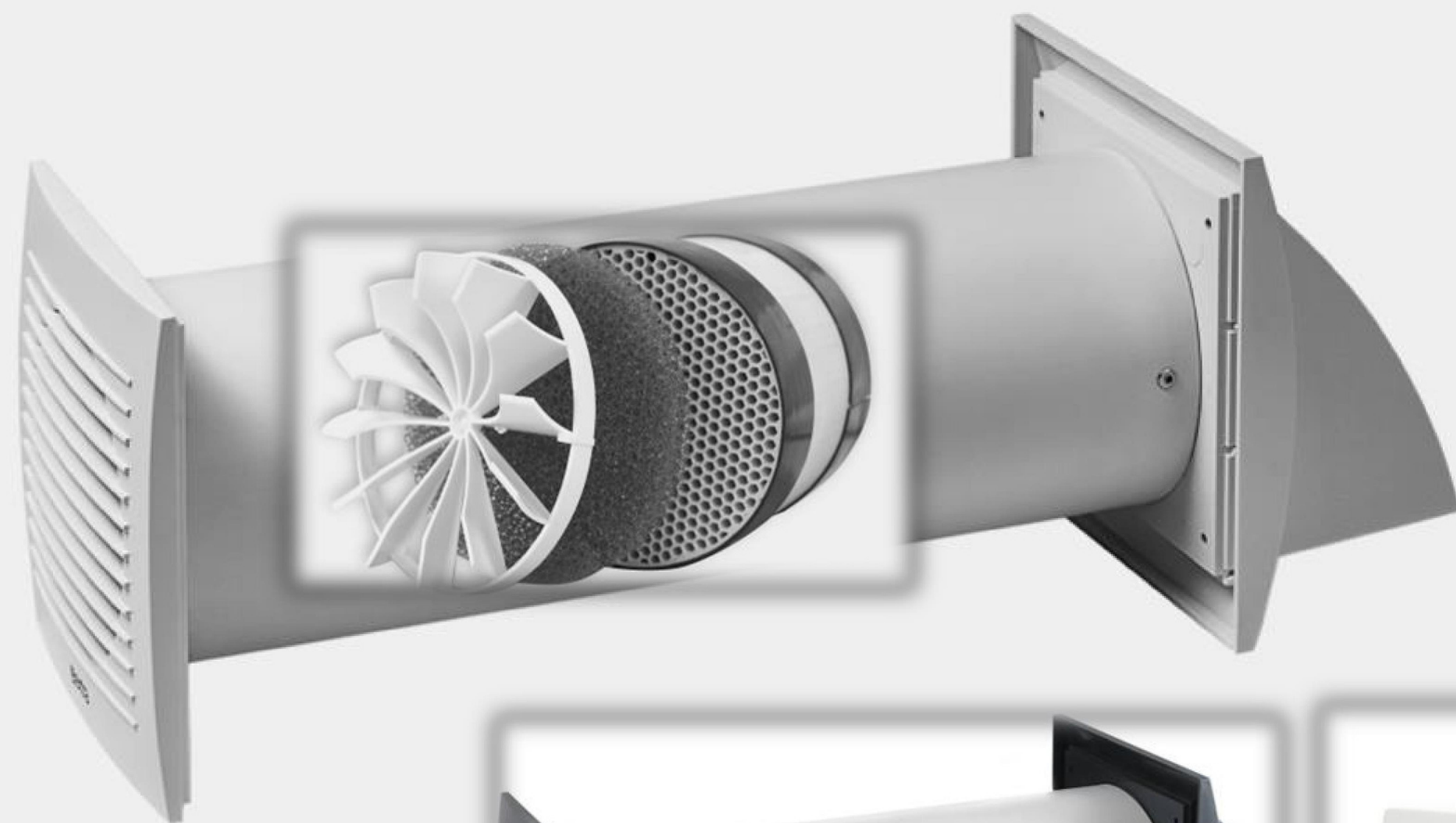
# Rekuperační jednotky

# Ventishop.cz

vše pro vzduchotechniku

+420 725 927 818

info@ventishop.cz



+420 725 927 818

info@ventishop.cz



# Rekuperační jednotky

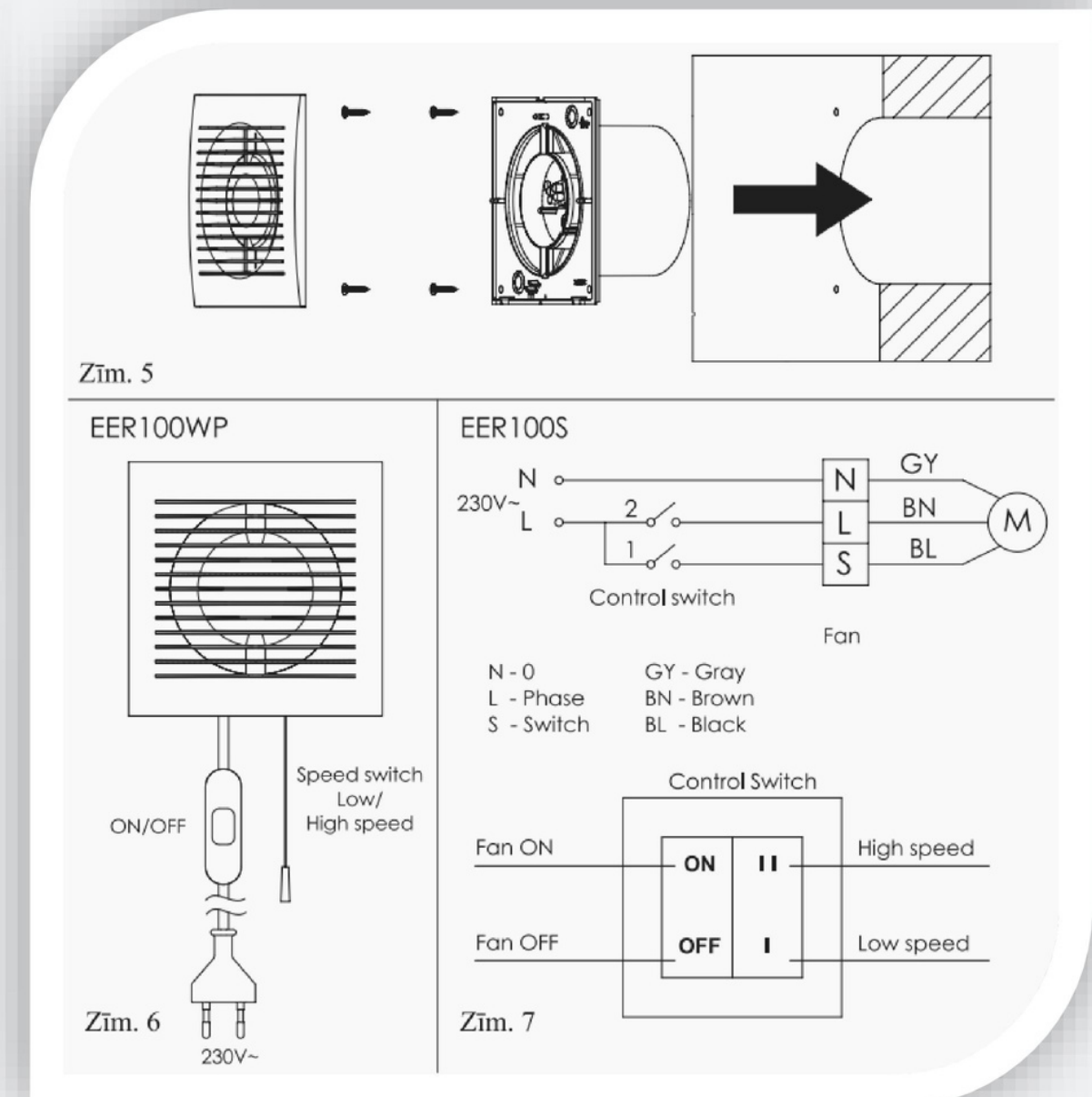
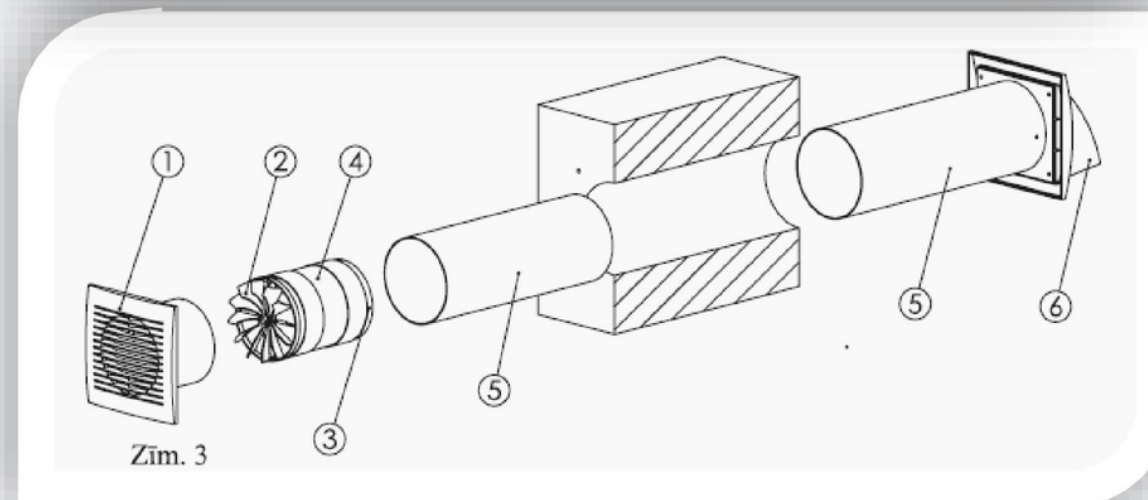
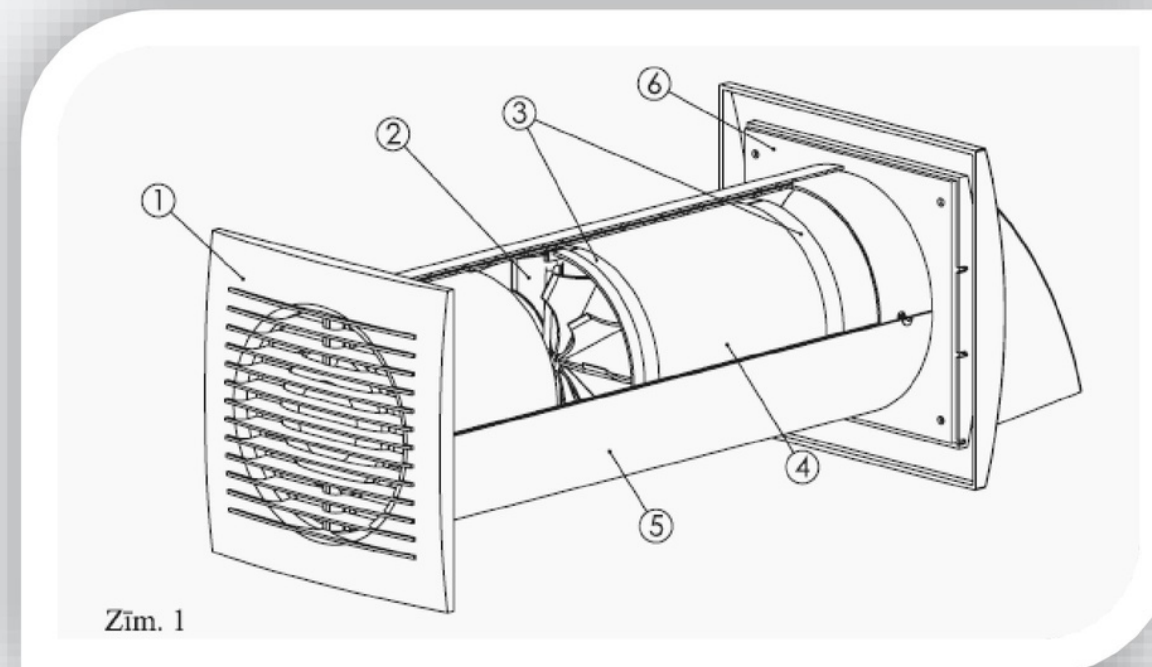
# Ventishop.cz

vše pro vzduchotechniku

+420 725 927 818

info@ventishop.cz

## CONNECTION DIAGRAMS AND ADJUSTMENT



Connection by certified specialist!

ENERGY EFFICIENT 2W



HEAT RECOVERY EFFICIENCY UP TO 85%



WASHABLE FILTERS



AIR EXTRACTION AND SUPPLY



WORKS 24 HOURS/ 365 DAYS



+420 725 927 818

info@ventishop.cz



# Rekuperační jednotky

# Ventishop.cz

vše pro vzduchotechniku

+420 725 927 818

info@ventishop.cz



Article	Ean	Description	Quantity in box
		<b>wall-mounted heat recovery units E-EXTRA series EER</b>	
EER100S	4750492013885	wall-mounted heat recovery unit E-EXTRA, Ø100mm with wall switch	4
EER100SA	4750492026342	wall-mounted heat recovery unit E-EXTRA, Ø100mm with wall switch, anthracite	4
EER100WP	4750492013892	wall-mounted heat recovery unit E-EXTRA, Ø100mm with a cable and switch	4
EER125S	4750492023808	wall-mounted heat recovery unit E-EXTRA, Ø125mm with wall switch	2
EER125WP	4750492023815	wall-mounted heat recovery unit E-EXTRA, Ø125mm with a cable and switch	2
EER150S	4750492023822	wall-mounted heat recovery unit E-EXTRA, Ø150mm with wall switch	2
EER150WP	4750492023839	wall-mounted heat recovery unit E-EXTRA, Ø150mm with a cable and switch	2



+420 725 927 818

info@ventishop.cz