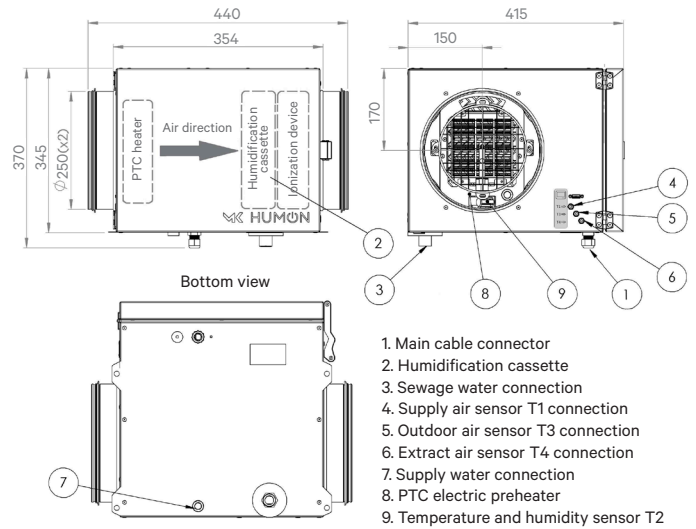


ADIABATIC DUCT TYPE HUMIDIFIER HUMON H250

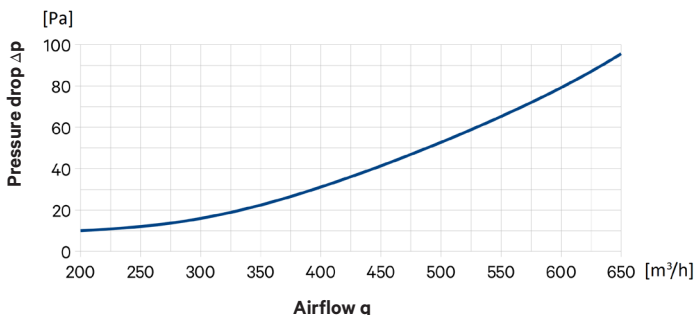


1. Main cable connector
2. Humidification cassette
3. Sewage water connection
4. Supply air sensor T1 connection
5. Outdoor air sensor T3 connection
6. Extract air sensor T4 connection
7. Supply water connection
8. PTC electric preheater
9. Temperature and humidity sensor T2

DESCRIPTION

HUMON is an adiabatic duct type humidifier intended for humidification of supply air in small and medium-sized spaces, such as family houses, flats and offices. Humidification is based on natural evaporation processes. Suitable power supply, fresh water connection and wastewater trap should be provided by the Customer. In all cases, the device should be installed in the ventilation system's supply air duct between the HRV unit and the air outlet to the premises. The purpose of the HUMON device is to ensure continuous humidification of the supply air in the ventilation system. The air passing through the evaporating media becomes more moisturised and slightly cooled due to the adiabatic humidification process. The water filter integrated in the HUMON humidifier cleans the water, removing Legionella bacteria. The ionisation device helps to clean the supply air from viruses and bacteria. All the integrated safety equipment guarantees the safe and healthy operation of the device. The HUMON humidifier is made of aluminium zinc-coated steel sheets (corrosion class C4-M/C3-H). It can be installed in premises with a temperature range from +5 to +40°C.

TECHNICAL DATA



TECHNICAL DATA

Description	Parameters
Dimensions WxHxL	415 x 345 x 351 mm
Air duct connections	Ø250 mm
Humidification capacity	0-4,8 l/h
Power supply	230 V/50 Hz
Rated current	12,1 A
Rated power, total	1400 W
Energy consumption	6,5 W in stand by mode 10 W during humidification and ionisation 700-1400 W when the heater is operating
Water consumption	0-7,5 l/h (depending on set points)
Water supply connection	¾ internal thread with a connection to a 4 mm tube
Water drain tray connection	½ thread adapter to the 16 mm spiral drainage tube
Operating air volume	200-700 m³/h
Weight	11,7kg
Water quality	Hardness < 8,5 dGH, 5 mg-eq/l, TDS < 350 ppm
Factory settings	Supply air settings 50%, 18°C Indoor humidification up to 45% Start-up is triggered by the outdoor air temperature below +12°C

Factors affecting indoor air moisturisation:

- Outdoor humidity and temperature
- Type of HRV unit
- Supplied air volume
- The relative humidity and temperature settings for the supplied air
- Interior finishing and furniture materials
- Ventilation system operation features
- Water temperature

ADIABATIC DUCT TYPE HUMIDIFIER HUMON H250



HUMON ensures humidification of the supply air under pre-defined parameters in the ventilation system. The recommended reference values for relative humidity are established in the national Hygiene standards. The desired relative humidity values are easily set in the device control system.

SAFETY AND CONNECTION FUNCTIONS

- PTC heater with automatic overheating protection
- Airflow sensor for start/stop humidifier
- Additional on/off dry contact
- 0–10 V external start-up input
- Option to connect pressure relay for airflow indication
- Option to connect external humidity regulator
- External extract air humidity sensor T4

ADVANTAGES

- Quiet operation. The humidifier components reduce the noise level in the supply air duct by an average of 5 dB(A)
- The supplied air is humidified up to the relative humidity of 75%. (The humidification intensity depends on the outdoor air temperature and humidity in the supply duct after the HRV unit)
- Built-in PTC air preheater ensures adiabatic humidification process conditions
- Touch-type control panel for convenient parameter setting
- Integrated water filter to trap Legionella bacteria
- Bipolar ionisation device for air purification from viruses and bacteria
- Removable stainless steel drain tray for hygienic operation
- Inspection door with a locking handle for easier maintenance
- Housing made of aluminium zinc-coated steel sheets for high corrosion protection

Outdoor air parameters		Heat exchanger type	Supply air parameters before the humidifier			The amount of moisture saturated additionally, RH, %	The amount of relative humidity after the humidifier, RH, %	
T, °C	RH, %		T, °C	RH, %	Q, m³/h			
10	80	Plate	19	45	300	27		
					500	25		
	50			300	27			
				500	23			
	32			300	36			
				500	29			
5	80		36	500	300	34		
					500	27		
	90		22	300	400	40		
					500	29		
	0		80	25	300	400		40
						500		27
-5	80	15	300	450	45			
				500	30			
90	16	300	450	45				
			500	30				
-10	80	9	300	460	46			
				500	33			
	90	11	300	460	46			
				500	32			
	10	80	Rotary	19	45	300	27	
						500	25	
90		47			300	270	27	
						500	23	
5		80			33	300	360	36
							500	29
90	34	300		340	34			
				500	27			
0	80	30		300	400	40		
					500	29		
-5	80	31		300	400	40		
					500	27		
90	28	300	450	45				
			500	30				
-10	80	28	300	450	45			
				500	30			
10	80	Enthalpy plate	19	51	300	27		
					500	25		
	90			51	300	270	27	
						500	23	
	5			80	48	300	360	36
							500	29
90	49		300	340	34			
				500	27			
0	80		45	300	400	40		
					500	29		
-5	80		46	300	400	40		
					500	27		
-10	80	43	300	450	45			
				500	30			
90	43	300	450	45				
			500	30				
80	42	300	460	46				
			500	33				
90	43	300	460	46				
			500	32				

Calculation conditions: 20°C/50% in the room; +19°C before the humidifier; +18°C after the humidifier

Marking: T, °C air temperature; RH, % relative humidity; Q, m³/h air quantity.

Note: when the amount of relative humidity after the humidifier is up to 75%, the intensity of humidification automatically reduces.



Tested and certified
The device complies with the
EMC Directive (2014/30/EU)
and Low Voltage Directive
(2014/35/EU).



To find out more visit:
www.humon.it/en



Manufacturer:
UAB MK Technika
www.mktechnika.lt/en/